



Chintaly Imports.

Assembly Instruction

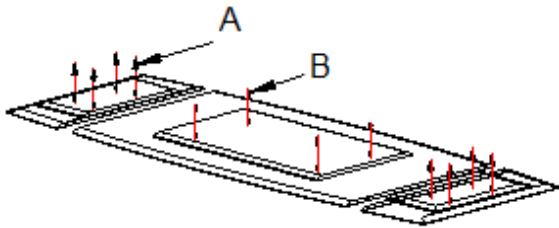
ITEM NO.:JESSY-DT

Thank you for purchasing this quality product. Be sure to check all packing material carefully for small parts that may have come loose inside the carton during shipment.

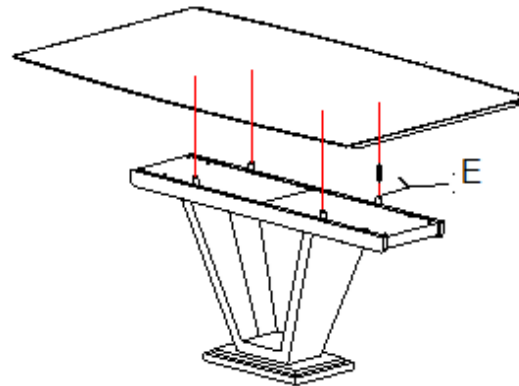
1. Firstly, please put and screw slightly all the bolts into the screw holes, but not screw tightly.
2. After all bolts put into the holes, please screw the bolts tightly one by one.
3. And please be noted, if the screw holes are not fitted, please try to move the table top to be adjusted.

A		8 pcs
B		4 pcs
C		4 pcs
D		1 pc
E		1 pc
F		8 pcs
G		4 pcs

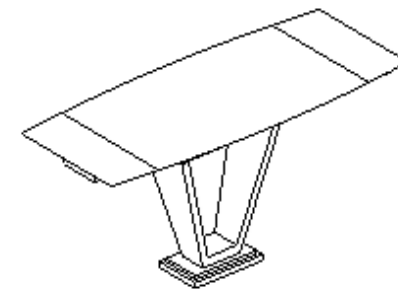
Step 1. Please screw on the A part to lift tops, and screw on the B part to main top.



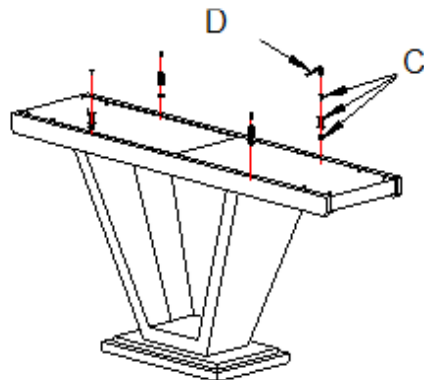
Step 3. Please use E wrench to fasten the inner allen nut to fix the top onto the base.



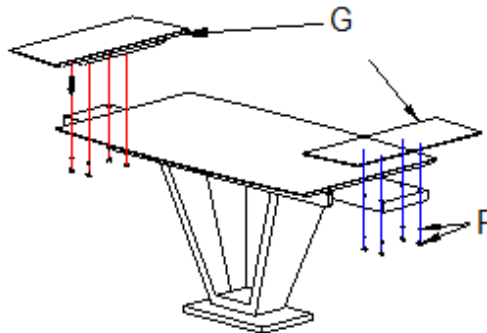
Step 5. turn clockwise or anti-clockwise the A part to adjust the lift tops to be the same high as the main top.



Step 2. Please use D wrench to lock the C part onto the base. Please note the inner allen nut head toward outside.



Step 4. Match the vein of the lift tops and main top, then use F part to assemble them onto the base. stick the rubber for protection from bumping.



F		8 pcs
G		4 pcs